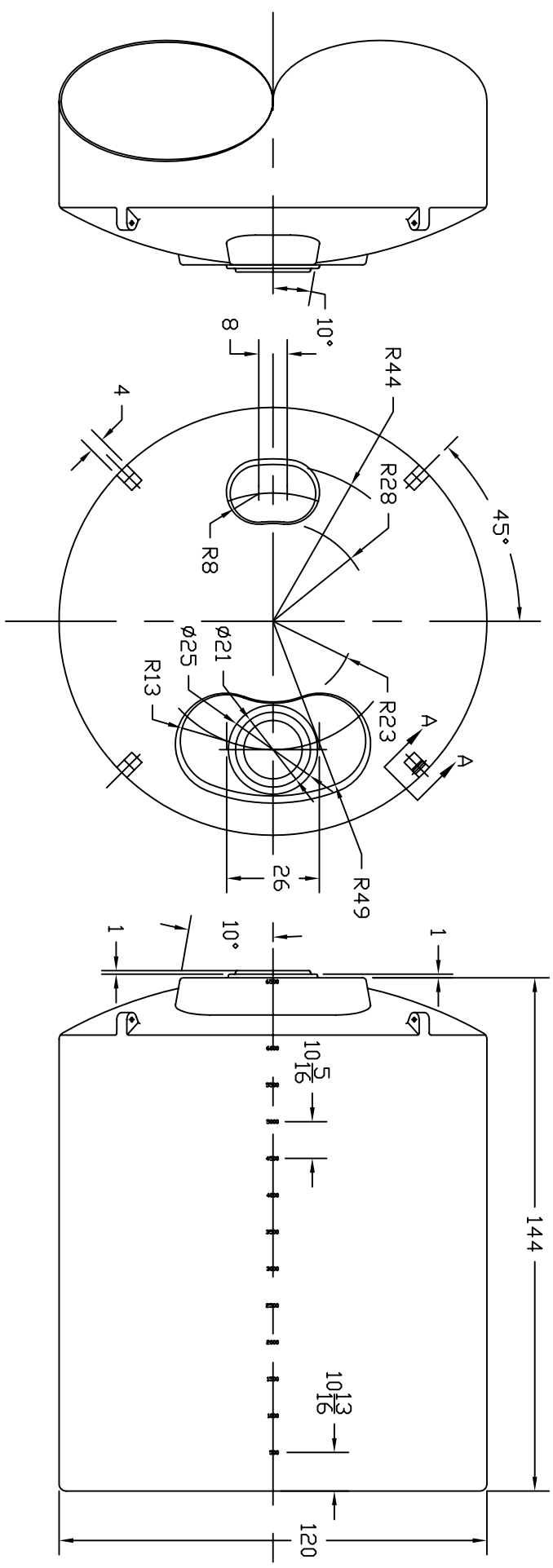


REVISIONS				
ZONE	REV	DESCRIPTION	DATE	APPROVED



		ST. BONIFACIUS, MN 6500 GALLON VERTICAL STORAGE TANK X 120 DIA	
JTP	22AUG05	SCALE	1/32
SIZE	FSCM NO.	DWG NO.	REV
B			
SHEET			

VIEW A-A
1/8 SCALE